

# Customised Equipment



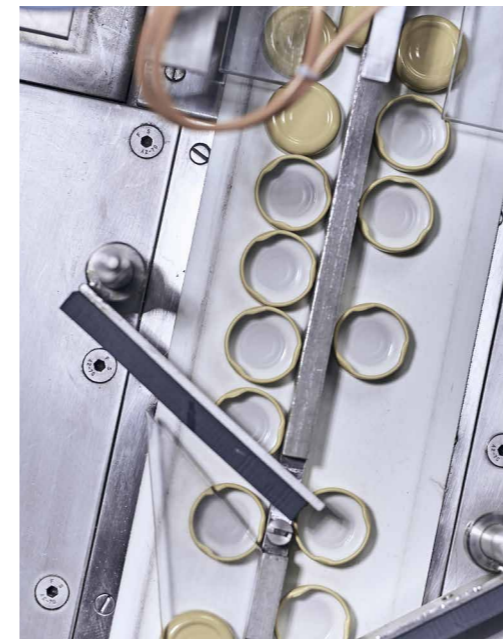
MORE THAN A CLOSURE.



# We provide solutions – Silgan Closures Equipment

When it comes to food and beverages, there simply can be no compromises. Sealing machines have to supply exactly what is required. That is why Silgan Closures provides a full range of tailor-made solutions on the basis of technical layout of production lines that are among the best in the world. The interplay of high-quality materials and innovative closure systems provides the basis for impeccable results.

Containers need to securely protect precious contents with a closure that enables simple opening and secure resealing, while also meeting the strict hygiene standards of the food and beverages industry. Silgan's unique equipment enables that as part of the Total System Solution strategy.



### High-Performance Equipment

Silgan's high-performance equipment is among the best in the world and stands out from the rest by means of the following advantages:

#### 1. Open frame constructions

The machines are particularly accessible to ensure maximum cleanability and minimum maintenance. This saves energy, time and money.

#### 2. Efficient change-overs

The machine settings can be set to different diameters simply and quickly. This ensures that down-times are kept low and productivity is kept high.

#### 3. Innovative ideas

- Drive systems that surpass European IE requirements

### Real service

Real service means that we understand exactly what you want and the challenges you face, while we also provide solutions on site. At Silgan we truly understand your entire system and can offer you a Total System Solution throughout the entire production process – from customer service staff through to food technicians and sales staff.

## OVERVIEW

SEALING MACHINES	PAGE
<b>SMALL PRODUCTION AND LABORATORY USE</b>	
SWC 100 8 jars/min .....	4
<b>MEDIUM SPEED</b>	
SWC 150 up to 150 jars/min .....	6
SWC 200 up to 300 jars/min .....	8
SWC 300 up to 300 jars/min .....	10
<b>HIGH SPEED</b>	
SWC 500-1 up to 500 jars/min .....	12
SWC 600-1 up to 850/1000 jars/min .....	14
CAP FEEDERS	PAGE
Magnetic Elevator MF up to 800/1000 caps/min .....	16
Magnetic Elevator CSE up to 850/1600 caps/min .....	18
Hopper SST up to 270 caps/min .....	20
DUD DETECTOR	PAGE
SWC MFB TS .....	22

# Silgan White Cap 100

 The Silgan technical team  
is very competent and  
 able to find solutions.

## Closure types

Suitable for all Twist-Off®  
and PT closure types with  
Ø 27 – 100 mm

## Electrical requirements

230 V / 3.0 Amp.  
400 V / 1.7 Amp.

## Dimensions

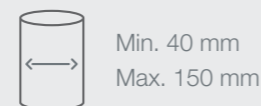
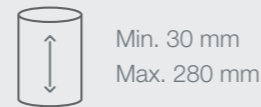
304 x 584 x 1200 mm

## Weight

100 kg

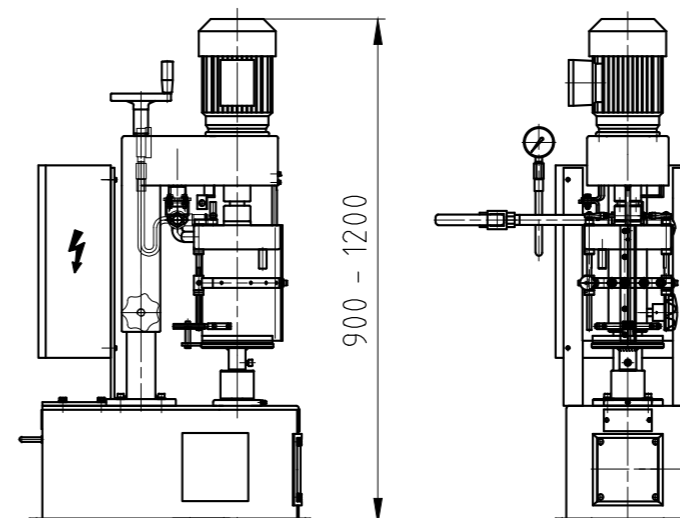
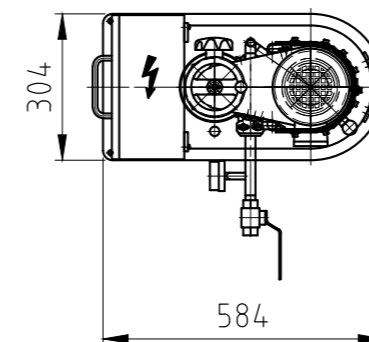
## Steam requirements

Supply pressure min. 4 bar,  
Operating pressure 1 bar



The Silgan White Cap 100 is a hand sealing machine for Twist-Off® and PT closures. It is ideal for low output rates of up to 8 jars per minute (approx. 400 jars per hour).

The jars and closures are placed in the machine by hand. By turning a control lever, a cone is lowered over the jar and steam is injected before sealing. A further turn of the control lever screws or presses the cap on and releases the sealed jar. The steam condensing in the sealed jar produces a vacuum similar to that of automatic sealing machines.



## Features

- Mature technology
- Easy, simple installation
- Easy handling
- Long service life of the main parts
- Closure and jar headspace are steamed



# Silgan White Cap 150

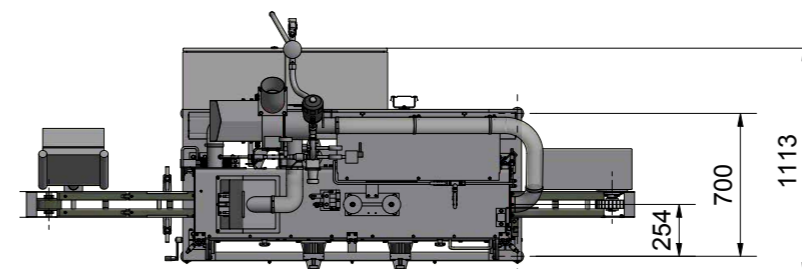
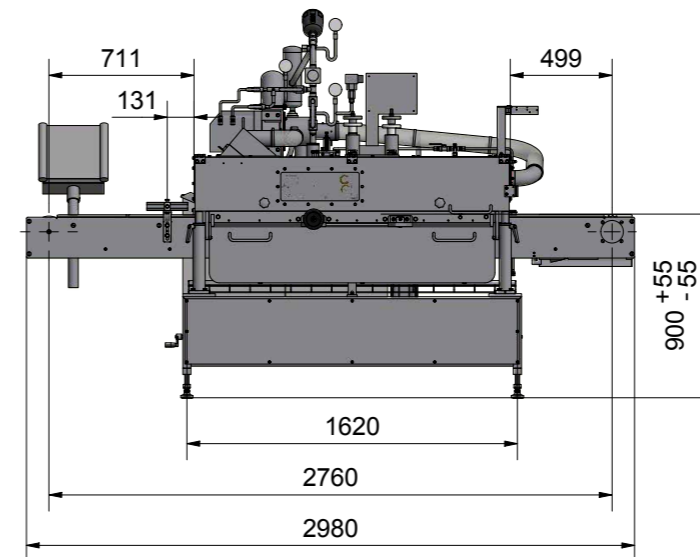
 When you have technological problems, we call them and Silgan gets back to us quickly –   
 ★★★ either within half an hour or an hour.



The Silgan White Cap 150 is the perfect solution for flexible and safe production capping machines. It provides an alternative option to the standard cappers in terms of performance, shape and functionality – including Silgan engineering expertise and cutting-edge technology.

### Features

- Output of 100 to 150 jars per minute
- Suitable for all Twist-Off® 27 to 100 mm diameter sealing food glass jars
- Complies with the latest hygiene standards
- Stainless steel
- CE-compliant



#### Electrical requirements

400 V  
50 / 60Hz  
2.5 kW

#### Steam requirements

5 – 8 bar  
30 – 90 kg/h  
R 3/4"

#### Steam supply line connection

R 3/4"  
Exhaust pipe  
Ø 150 mm minimum

#### Preferably soft water

R 1/4"  
0.25 m³/h

#### Max. line speed

150 per min. for Twist-Off® and PT

#### Closure types

Suitable for all Twist-Off® & PT closure types with 27 – 100 mm




Min. 40 mm  
Max. 300 mm



Min. 40 mm  
Max. 160 mm

# Silgan White Cap 200

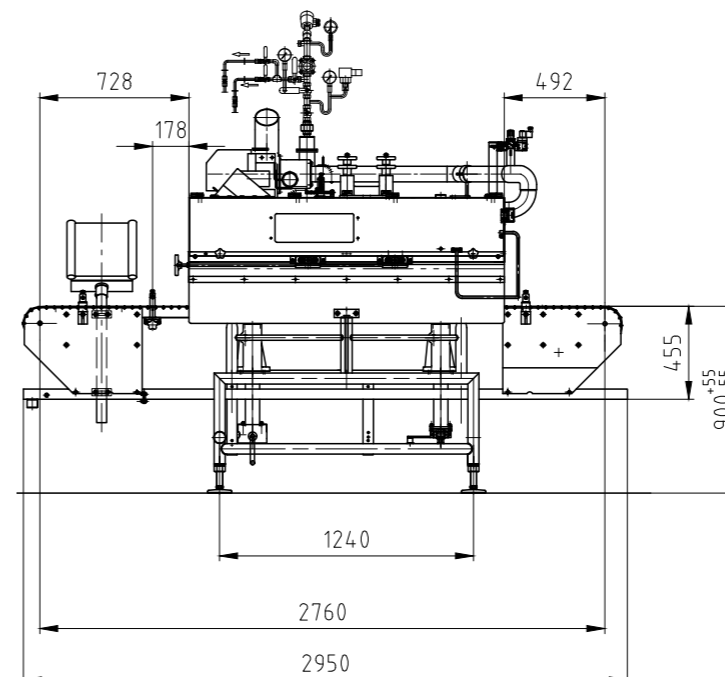
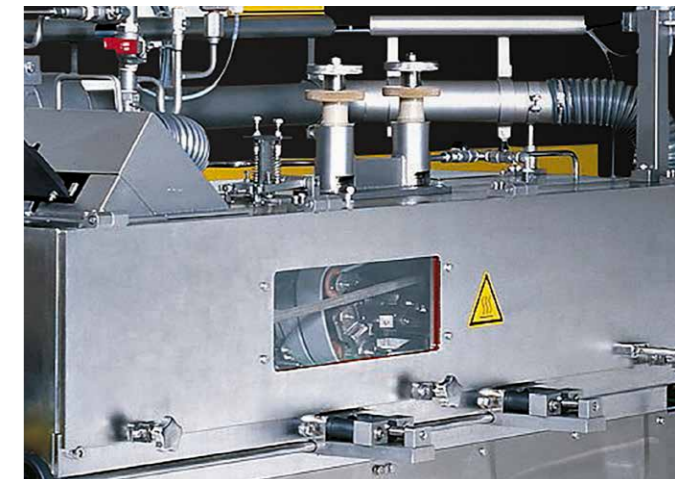
 They have extensive know-how. They have the ability to look ahead and understand the customer's needs from the point of view of technical specifications.

★★★

The Silgan White Cap 200 is the sophisticated technical solution for low and medium production speeds of up to 300 caps per minute.

### Features

- Open frame made of top-quality stainless steel for optimal cleaning and minimum maintenance
- Capping rates of up to 300 jars per minute for Press-On® closures and Twist-Off® lug caps



#### Electrical requirements

400 V  
50/60 Hz  
2.5 kW

#### Steam requirements

5 – 8 bar  
30 – 90 kg/h

#### Steam supply line connection

R 3/4"  
Exhaust pipe  
Ø 150 mm minimum

#### Preferably soft water

R 1/4"  
0.25 m³/h

#### Max. line speed

300 per min. for PT  
300 per min. for Twist-Off®

#### Closure types

Suitable for all Twist-Off®  
& PT closure types with  
27 – 100 mm



Min. 40 mm  
Max. 280 mm



Min. 40 mm  
Max. 160 mm

# Silgan White Cap 300

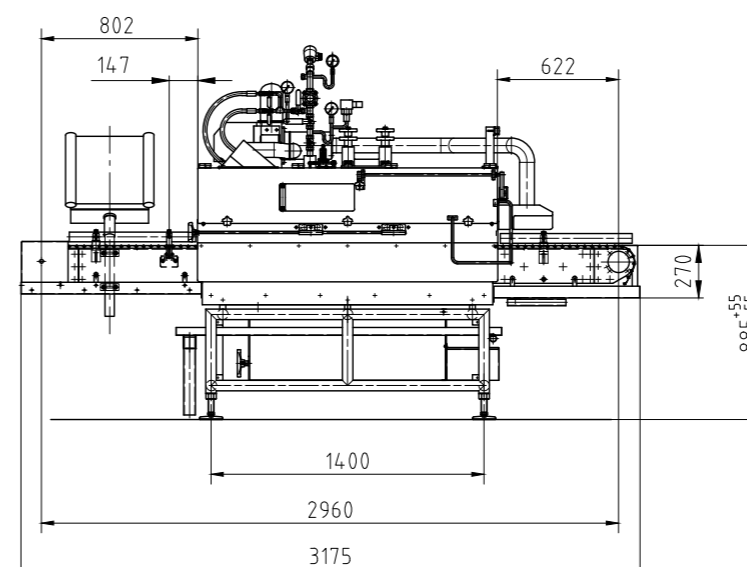


Silgan is excellent. We once had an issue with the settings of a capper machine, and that problem was resolved quickly and efficiently.

The Silgan White Cap 300 is ideal for line speeds of up to 300 Twist-Off® closures per minute with short change-over times. It is primarily designed for medium line speed ranges and processing products on several lines in parallel mode. Its open frame design with top-quality stainless steel ensures easy cleaning and minimum maintenance.

**Features:**

- Simple set-up and adjustment
- Small front door and integrated sliding door for easy access, rapid control, adjustment and cleaning
- Single-point attachment for shorter cap track, resulting in shorter change-over and maintenance times
- Machine head electronically adjustable to jar height
- Separate, synchronised drives for machine head and conveyor with frequency converter for speed control, and line speed synchronisation
- Available in right- or left-handed configuration



**Electrical requirements**

400 V  
50/60 Hz  
3.5 kW

**Steam requirements**

5 – 8 bar  
30 – 90 kg/h

**Steam supply line connection**

R 3/4"  
Exhaust pipe  
Ø 150 mm minimum

**Preferably soft water**

R 1/4"  
0.25 m³/h

**Max. line speed**

300 per min. for Twist-Off® and PT

**Closure types**

Suitable for all Twist-Off® & PT closure types with 27 – 100 mm

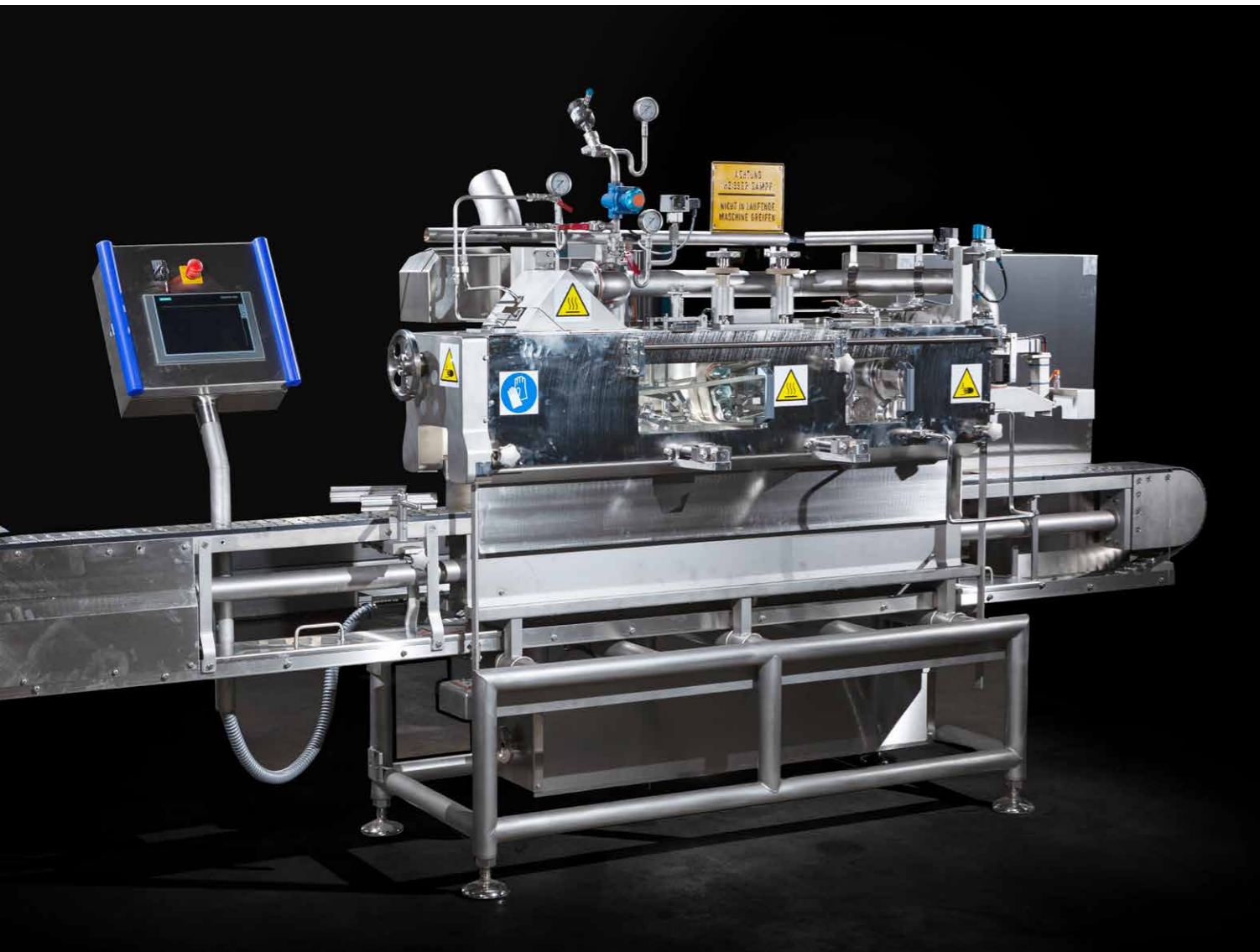


Min. 30 mm  
Max. 300 mm



Min. 40 mm  
Max. 160 mm

# Silgan White Cap 500-1

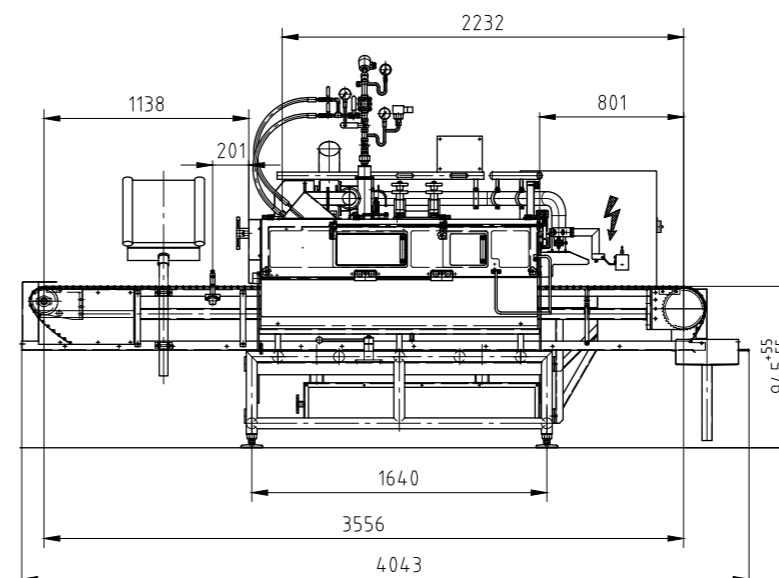


I am pleased with the overall service and care for the client.  
 When I call Silgan, someone almost always picks up right away.  
 If I leave a voice message, I get a response the same day.

The Silgan White Cap 500-1 is ideal for capping at medium to higher speeds of up to 500 jars or bottles per minute. It is the perfect combination of the machine concept „hygiene, cleanliness and reliability“. This further development of the Type 500 has an open frame design made of top-quality stainless steel for optimal cleaning and minimum maintenance. Its larger base area, extended machine bed and two-point head clamp provide perfect stability.

**Features:**

- Less maintenance and lower noise levels due to new cam belt drive for sealing and side belts
- Split lower cap track for easier set-up and adjustment to different closure diameters
- Separate lateral drag arm for optimised capping rate
- Sliding doors for easier access
- Electronic adjustment to different jar heights
- Frequency converter for speed control
- Available in right- or left-handed configuration



**Electrical requirements**

400 V  
 50/60 Hz  
 5.5 kW

**Steam requirements**

5 – 8 bar  
 30 – 90 kg/h

**Steam supply line connection**

R 3/4"  
 Exhaust pipe  
 Ø 150 mm minimum

**Preferably soft water**

R 1/4"  
 0.25 m³/h

**Max. line speed**

500 per min. for Twist-Off® and for PT

**Closure types**

Suitable for all Twist-Off® & PT closure types with 27 – 100 mm




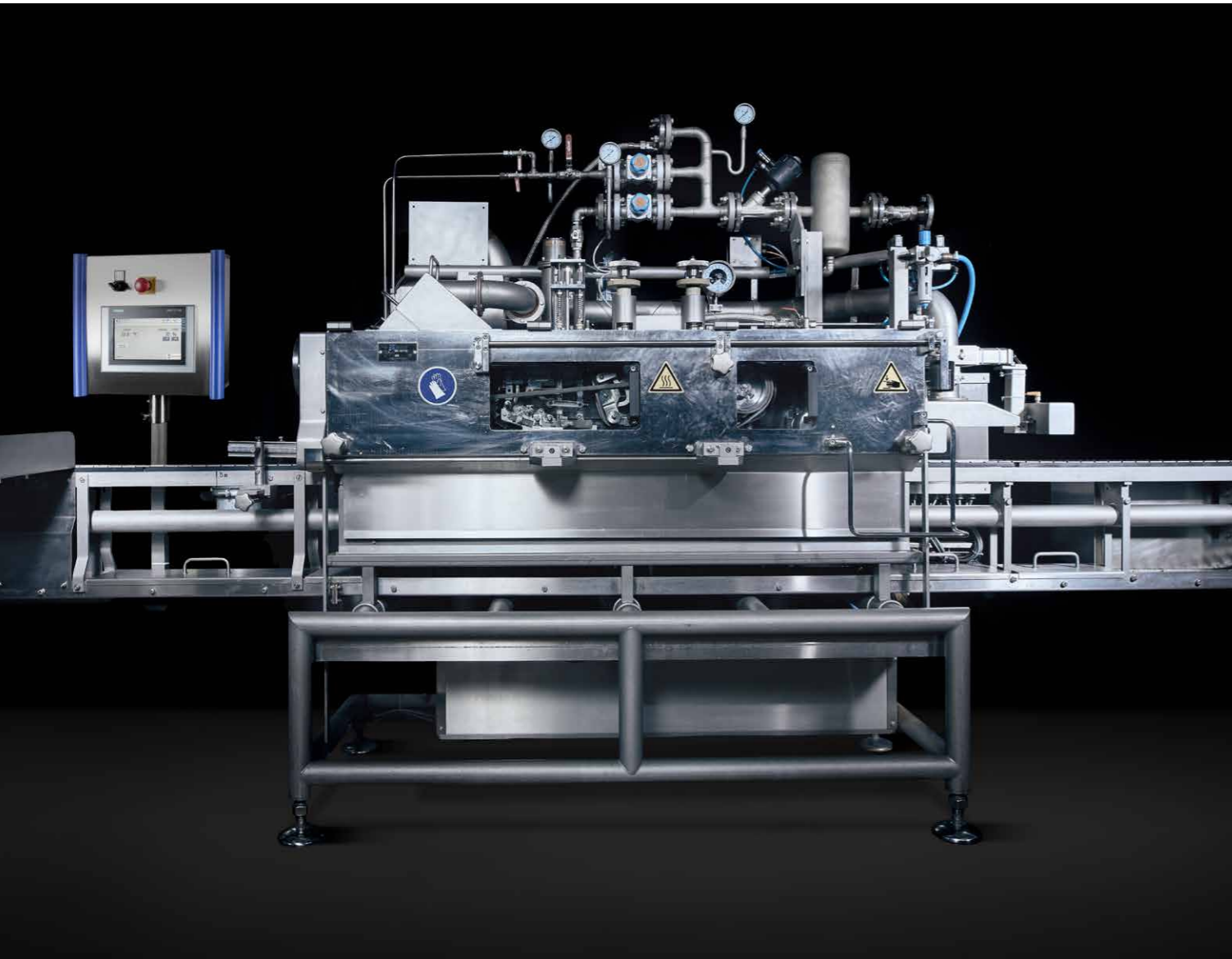
Min. 30 mm  
 Max. 300 mm



Min. 40 mm  
 Max. 160 mm

# Silgan White Cap 600-1



 Silgan always responds to a complaint right away, and they try to solve and fix it as quickly as possible.  
 ★★ ★

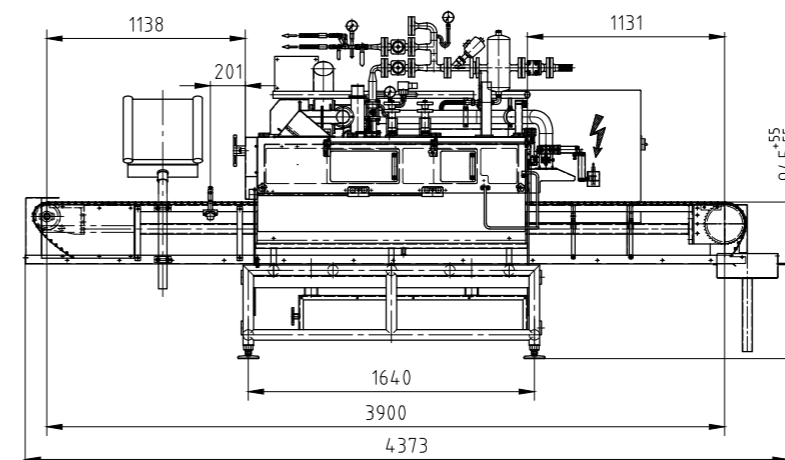


The Silgan White Cap 600-1 provides just the right machine concept for all customers with stringent requirements in respect of capping performance and efficiency as well as hygiene and cleanliness. It is ideally suited for fast line speeds of up to 1000 PT closures per minute and enables capping rates of up to 850 jars per minute for Twist-Off® lug caps.

**Features:**

- Open frame design with top-quality stainless steel for optimal cleaning and minimum maintenance
- Quick change-over and easy set-up
- Electronic adjustment to different jar heights
- Completely new electrical components: smaller electrical cabinet, touch panel, servo drive, IE5-classified
- Available in right- or left-handed configuration

<p><b>Electrical requirements</b>                  400 V                  50/60 Hz                  7.5 kW</p>	<p><b>Machine connection</b>                  DN25                  Exhaust pipe                  Ø 150 mm minimum</p>	<p><b>Max. line speed</b>                  1.000 per min. for PT                  850 per min. for Twist-Off®</p>	<p> Min. 40 mm                  Max. 300 mm</p>
<p><b>Steam requirements</b>                  5 – 8 bar                  50 – 120 kg/h</p>	<p><b>Preferably soft water</b>                  R 1/4"                  0.25 m³/h</p>	<p><b>Closure types</b>                  Suitable for all Twist-Off®                  &amp; PT closure types with                  27 – 100 mm</p>	<p> Min. 40 mm                  Max. 160 mm</p>





# Silgan White Cap Magnet Elevator MF



## Container content for cap

### Ø (mm) / Container type

	A	I	II
38	7.750	9.000	30.000
53	4.250	7.000	25.000
66	2.750	5.000	18.000
82	1.650	3.000	10.000

### III

38	44.000
53	35.000
66	24.000
82	14.000

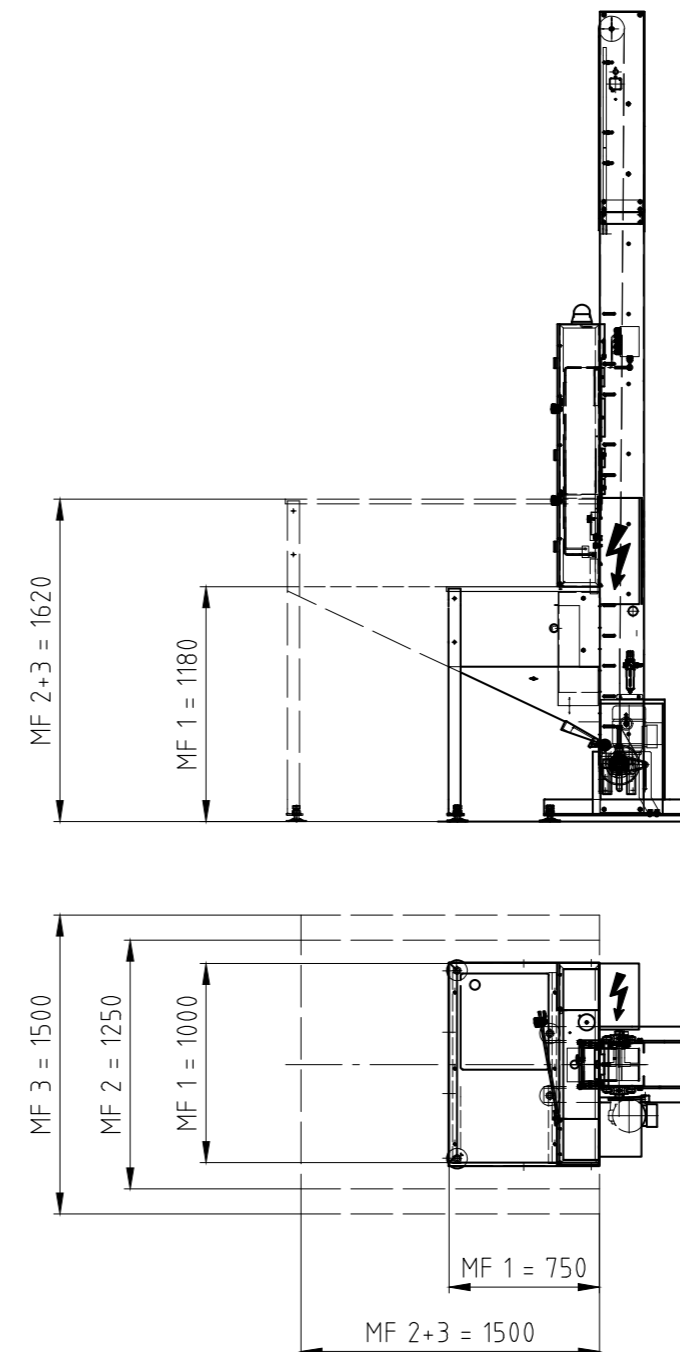
## Electrical requirements

400 – 460 V  
50 / 60 Hz  
1.0 kW

## Compressed air

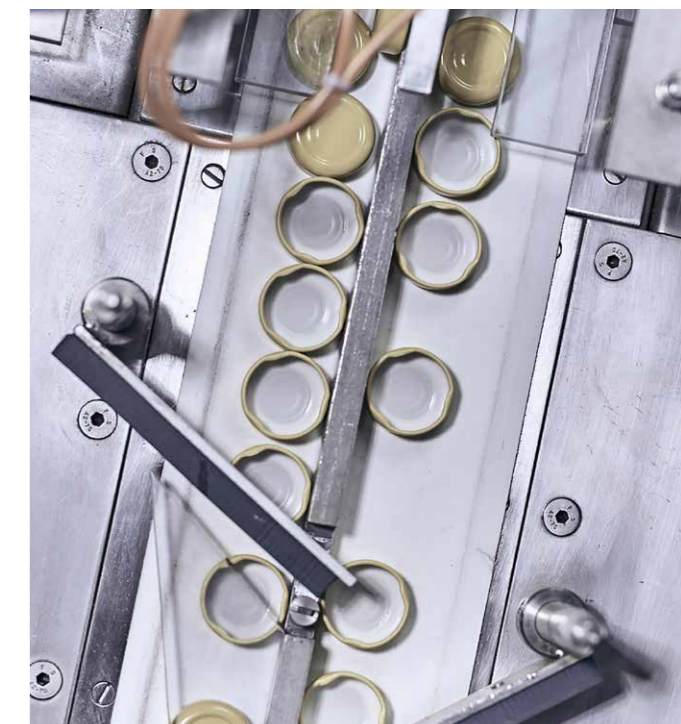
6 bar min.

The Silgan White Cap Magnet Elevator MF is ideal for line speeds of up to 800 caps per minute. The fundamental concept of the standard elevator serves as the basis for this new magnet elevator, type MF.



## Features:

- Physical separation of feeds from the product area
- Available as 2-row type „MF-D“: line speed increased to > 1000 caps per minute for cap diameters of 27 to 53 mm
- Drive with flange motor at the base of the elevator
- Frequency control for line speed adjustment
- Reduced noise levels
- Simple change-over to other cap types



# Silgan White Cap Magnet Elevator, Type CSE



<b>Line speed</b>	
<b>PT closures</b>	
Ø 40 mm	1.600 per min.
Ø 51 mm	1.600 per min.
<b>Line speed</b>	
<b>Twist-Off® closures</b>	
Ø 38 mm	1.600 per min.
Ø 53 mm	1.400 per min.
Ø 63 mm	1.300 per min.
Ø 77 mm	1.000 per min.
Ø 82 mm	850 per min.

**Container content**  
0.8 m<sup>3</sup>

**Electrical requirements**  
400 – 460 V  
50 / 60 Hz  
1.65 kW

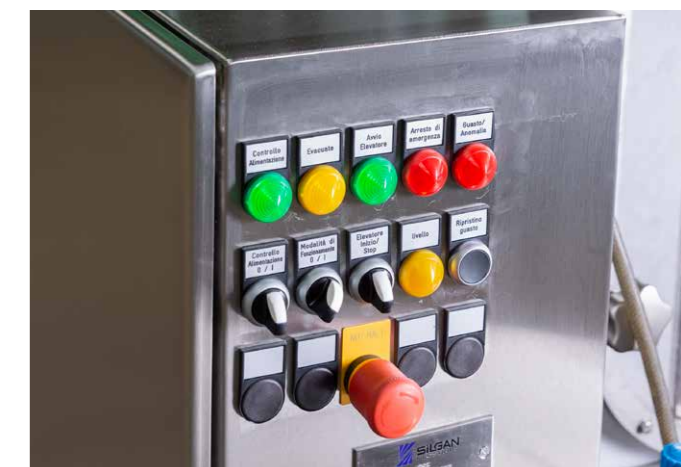
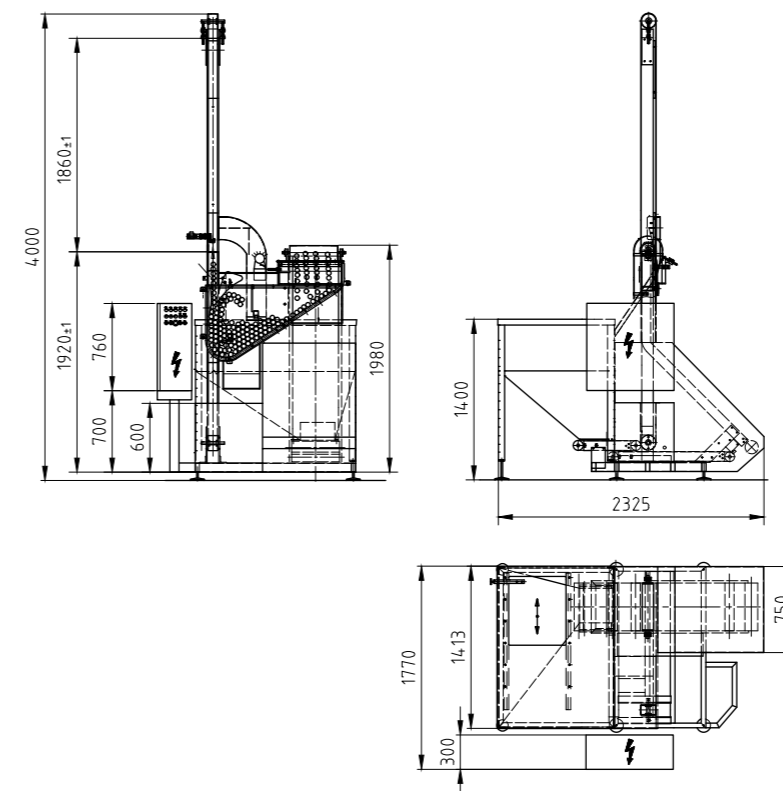
**Compressed air**  
6 bar

**Space required**  
2.300 x 3.800 mm

The Silgan White Cap Magnet Elevator Type CSE is the top-rate cap feed and sorting system for Silgan White Cap metal closures. The unit consists of a cap container, feed conveyor, sorting device and elevator. The patented cap sorting system functions in several lines and the closures are sorted by gravity.

## Features:

- Physical separation of feeds from the product area
- High line speeds with minimum electrical requirements
- Simple handling
- Short change-over times
- Reduced noise levels



# Silgan White Cap Hopper SST



#### Maximum line speed

#### Twist-Off® closures

Ø 53 mm 270 per min.  
 Ø 66 mm 190 per min.  
 Ø 82 mm 100 per min.

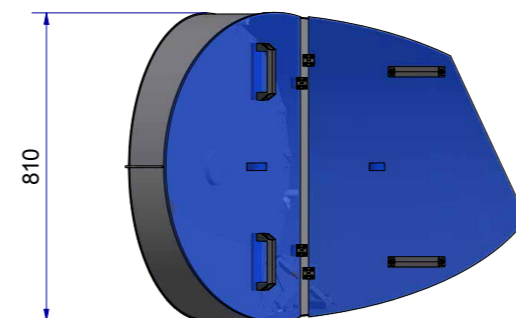
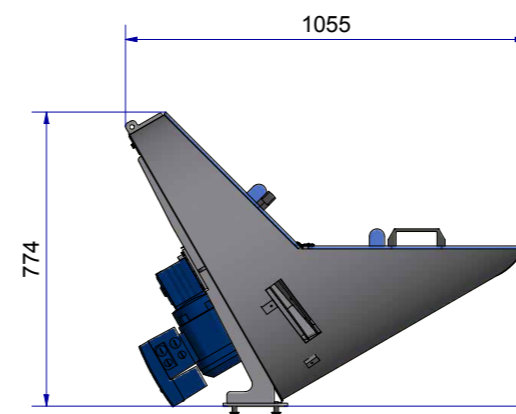
#### Electrical requirements

380 – 500 V  
 50 / 60 Hz  
 0.37 kW

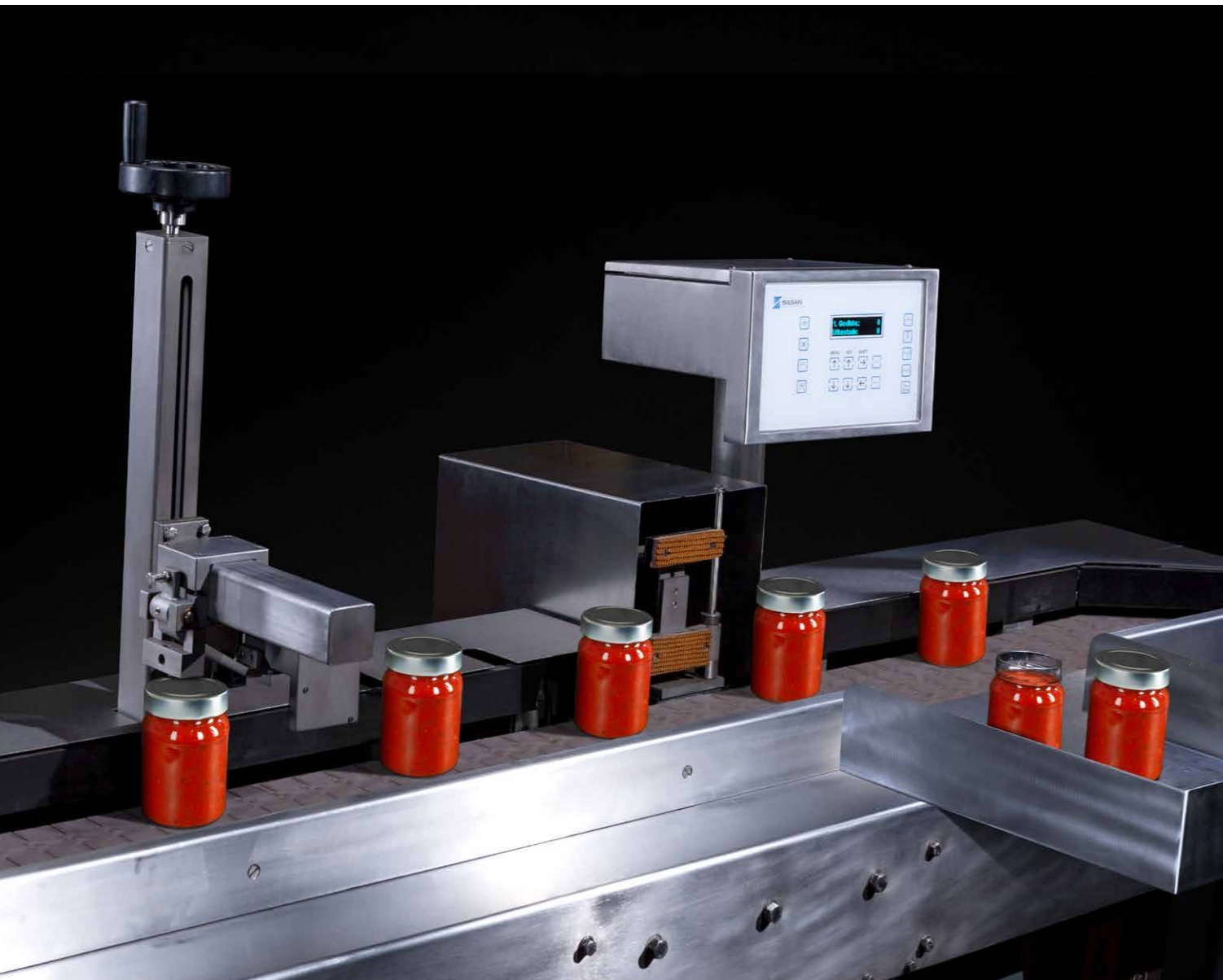
The Silgan White Cap Hopper SST is a simple universal hopper for low line speeds. It consists of a sorting device and chute system to transfer the caps into the sealing machine. The closures are mechanically sorted by special pins.

#### Features:

- Fully stainless steel unit
- Frequency drive
- Simple handling
- Short change-over times
- Reduced noise levels



# Silgan White Cap MFB TS



#### Electrical requirements

230 V  
50 Hz  
100 W

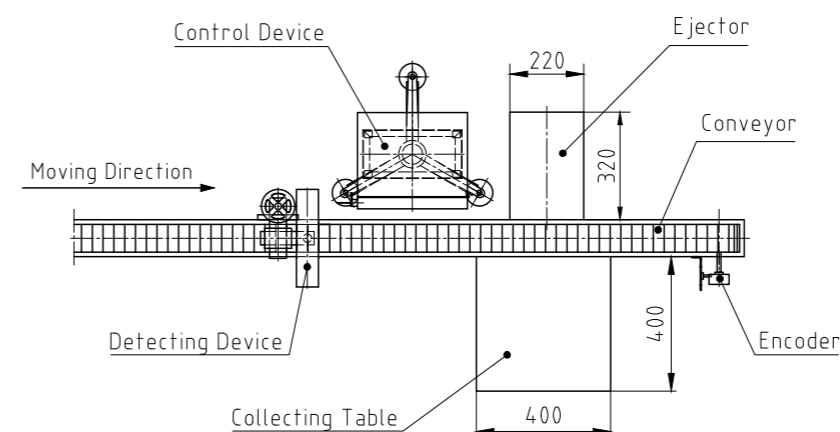
#### Compressed air

5 bar min.

The Silgan White Cap MFB TS dud detector ensures contact-free vacuum testing with inductive sensors. Jars with insufficient or no vacuum are rejected after a defined distance, even when line speeds vary automatically. In addition, the system includes programmable line control and a shut-down function for a chosen output quantity and the ejection of several jars in a row.

#### Features:

- Capacitive Touch Panel
- Sensor display for correct spacing
- Display to indicate current vacuum values and defaults
- Missing cap detector
- Precise vacuum check based on closure panel drawn-in
- Output and reject counter (also displayed as a percentage)
- Externally evaluated counter pulses
- Reject pulses of external test functions such as filling level control and flawed packaging



## More than a closure!

Rigorous care, effortless technical processes and reliable closure systems are essential elements for food and still beverages packed in glass. Our Total System Solution delivers comprehensive end-to-end solutions supported by the highest level of professional advice and continued attention to efficiency and effectiveness.



### CONSISTENT FOCUS ON YOUR PRODUCT

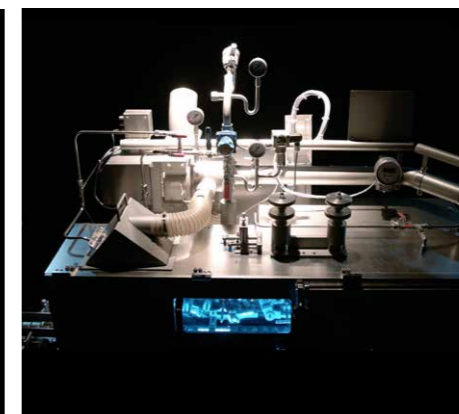
Our food technology expertise ensures that all processes meet and often even exceed the requirements for reliability and product quality. Improved taste and colour retention as well as perfect consistency and longer shelf life are ensured by our Vapour Vacuum® System.

### INDIVIDUAL AND DIVERSE: OUR EQUIPMENT

Our Total System Solution provides the right system for all production lines. Sealing machines for a variety of performance requirements guarantee an unbeatably effective closure, while contactless vacuum testing immediately after capping ensures maximum safety.

### ONE-STOP EXPERTISE: OUR SERVICE

Our technical service offers comprehensive on-site support and ensures ideal line layouts and sealing systems through customized process analysis and recommendations. We also provide technical support, regular maintenance and supplies of original spare parts, and carry out sealing courses for line managers and staff.



## Twist-Off® & PT – The Original

White Cap invented the Twist-Off® lug closure for glass containers, designed for use with the Vapour-Vacuum® method. It provides excellent oxygen barrier properties and ensures greatly enhanced shelf life for foods.

PT (Press-On Twist-Off®) is a special vacuum-holding closure designed for high-speed Press-On and Twist-Off® operation. It provides superior tamper resistance and a hygienic construction. This is achieved by an extended compound side wall in a closure shell without lugs.



DELI & DRESS



BABY FOOD & JUICE



JAM & HONEY



JUICE



PICKLES,  
FRUIT & VEGETABLES



**Silgan Closures GmbH**  
[marketing@silgan-closures.com](mailto:marketing@silgan-closures.com)  
[www.silgan-closures.com](http://www.silgan-closures.com)