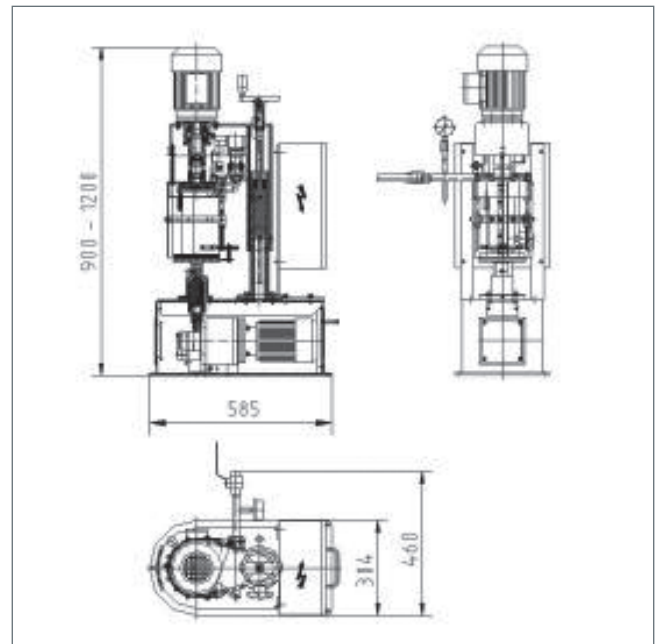
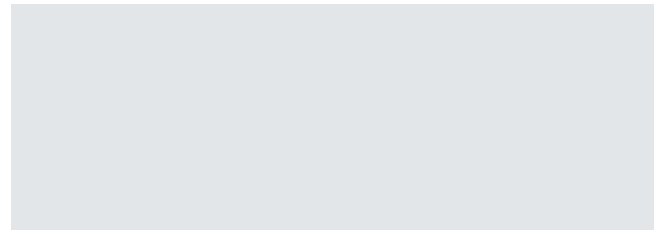
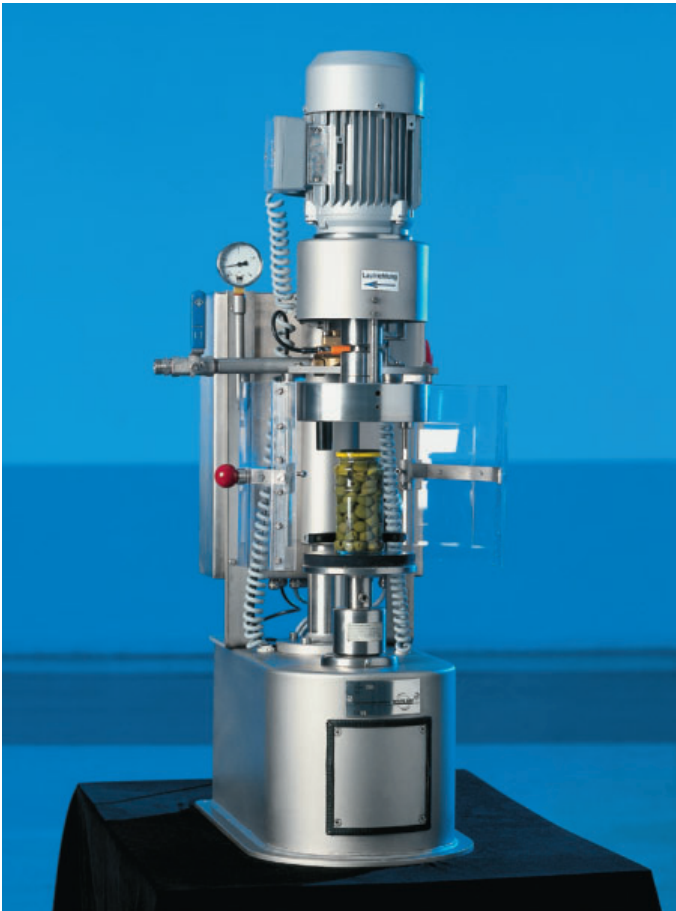


Sealing Machine Silgan White Cap 100



Closure types

Suitable for all Twist-Off® and PT closure types with Ø 27 mm – 110 mm

Electrical requirements

230 V / 3.0 Amp. · 400 V / 1.7 Amp.

Dimensions

304 x 584 x 1200 mm

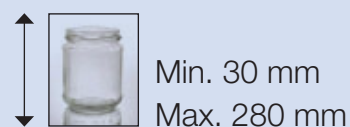
Weight

100 kg

Steam requirements

Supply pressure min. 4 bar

Operating pressure 1 bar



Sealing Machine Silgan White Cap 160



Output

up to 400 jars per hour

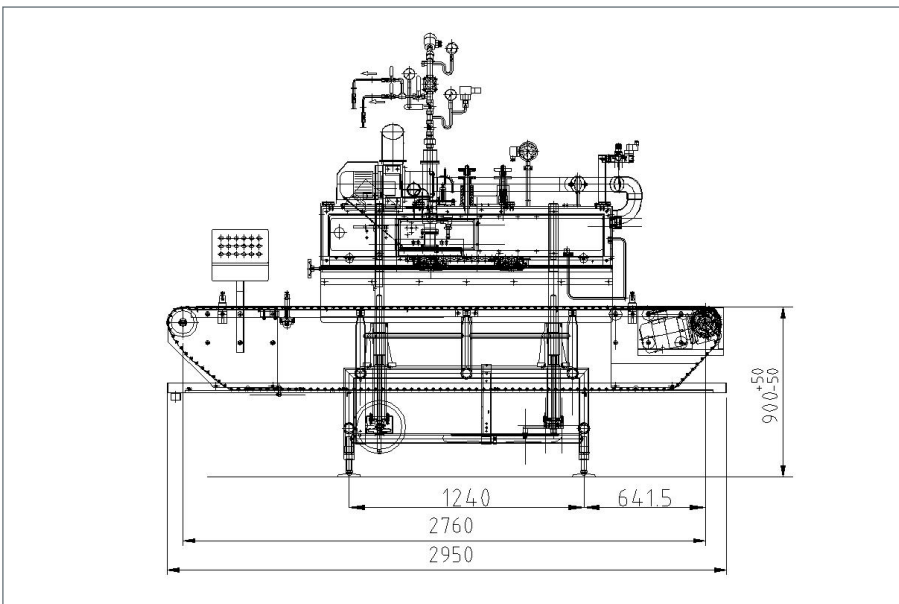
Jar height

200 mm

Jar diameter

90 mm

Sealing Machine Silgan White Cap 200



Electrical requirements

400 V / 50 Hz / 3.5 kW

Steam requirements

5 – 8 bar

30 – 90 kg/h

Steam supply line connection

R 3/4"

Exhaust pipe

Ø 150 mm minimum

Preferably soft water

0.25 m³/h

Max. line speed

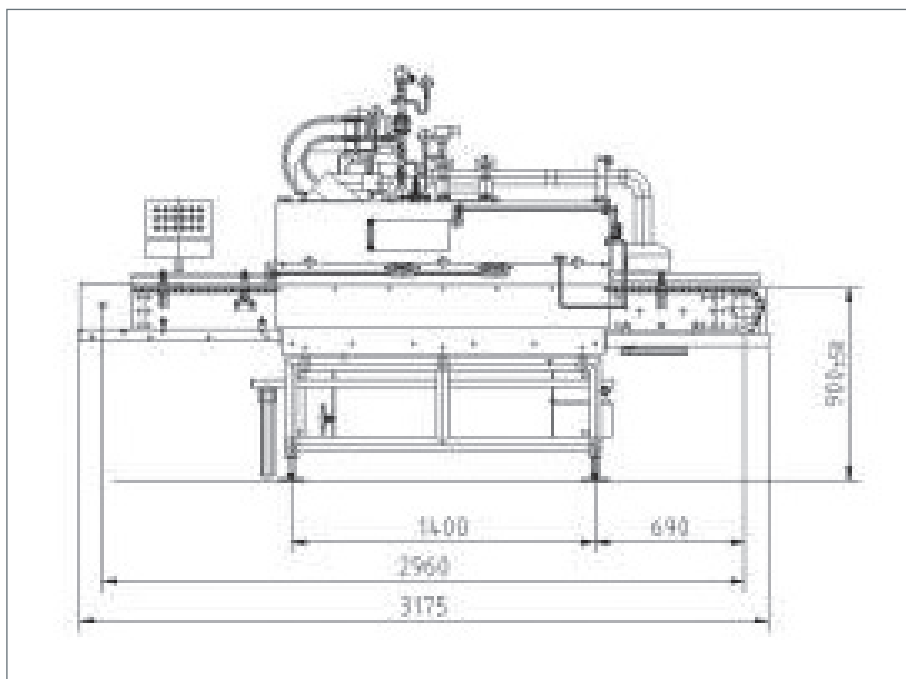
300 per min. for
Twist-Off® and PT

Closure types

Suitable for all Twist-Off®
and PT closure types
with Ø 27 mm – 110 mm



Sealing Machine Silgan White Cap 300



Electrical requirements

400 V / 50 Hz / 3.5 kW

Steam requirements

5 – 8 bar

30 – 90 kg/h

Steam supply line connection

R 3/4"

Exhaust pipe

Ø 150 mm minimum

Preferably soft water

0.25 m³/h

Max. line speed

300 per min. for
Twist-Off® and PT

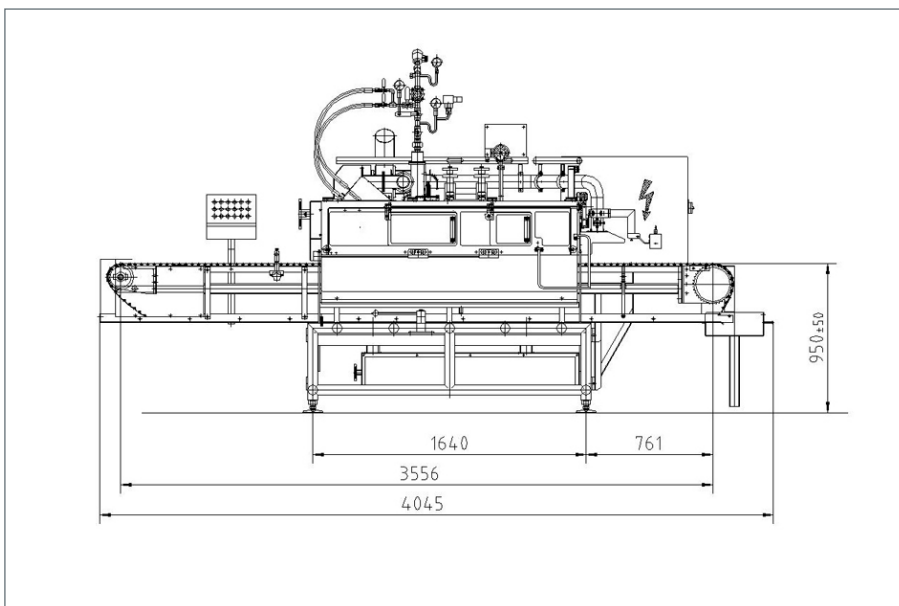
Closure types

Suitable for all Twist-Off®
and PT closure types
with Ø 27 mm – 110 mm

↑ ↓  Min. 30 mm
Max. 300 mm

∅  Min. 40 mm
Max. 160 mm

Sealing Machine Silgan White Cap 500-1



Electrical requirements

400 V / 59 Hz / 5.0 kW

Steam requirements

5 – 8 bar

30 – 90 kg/h

Steam supply line connection

R 3/4"

Exhaust pipe

Ø 150 mm minimum

Preferably soft water

R 1/4", 0.25 m³/h

Max. line speed

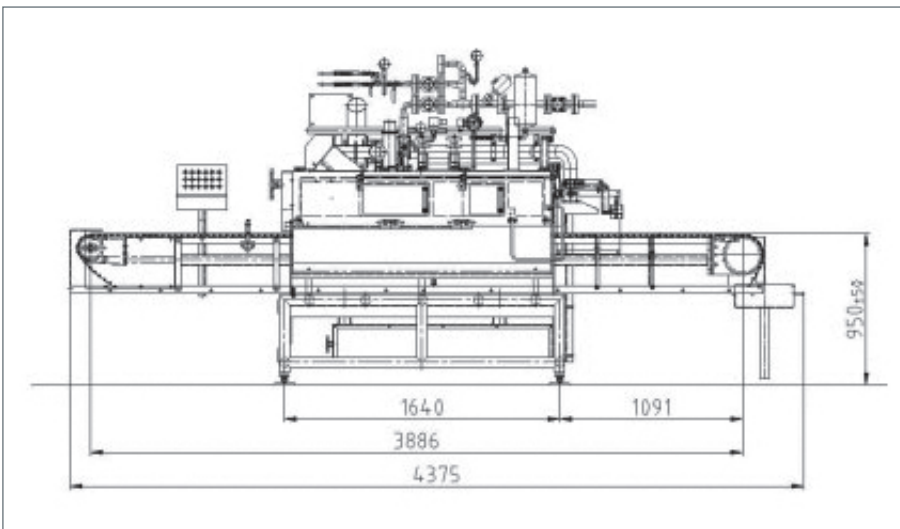
500 per min. for
Twist-Off® and PT

Closure types

Suitable for all Twist-Off®
and PT closure types
with Ø 27 mm – 110 mm



Sealing Machine Silgan White Cap 600-1



Electrical requirements

400 V / 50 Hz / 7.5 kW

Steam requirements

5 – 8 bar

50 – 120 kg/h

Steam supply line connection

DN 25

Exhaust pipe

Ø 150 mm minimum

Preferably soft water

R 1/4", 0.25 m³/h

Max. line speed

1.000 per min. for PT
850 per min. for Twist-Off® depending on closure diameter and type

Closure types

Suitable for all Twist-Off® and PT closure types with Ø 27 mm – 110 mm

↑ ↓  Min. 40 mm
Max. 300 mm

Ø  Min. 40 mm
Max. 160 mm