

Cap Feeder

Silgan White Cap 6 R 17



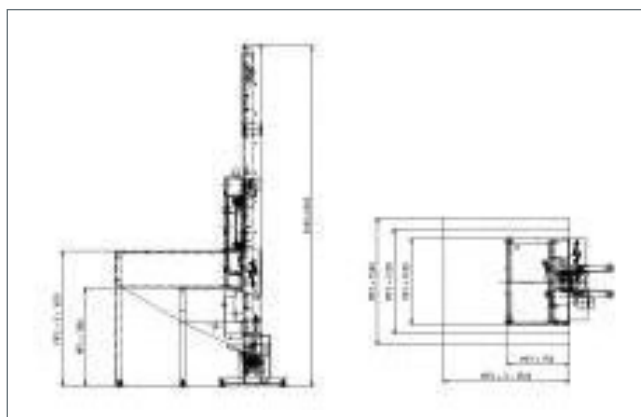
Electrical requirements

Drive motor / 0.25 kW / 230/400 V / 50 Hz

Weight

136 kg

Silgan White Cap Magnetic Elevator, Type MF



**Hopper contents
for cap Ø / hopper type:**

	I	II	III
38 mm	9,000	30,000	44,000
53 mm	7,000	25,000	35,000
66 mm	5,000	18,000	24,000
82 mm	3,000	10,000	14,000

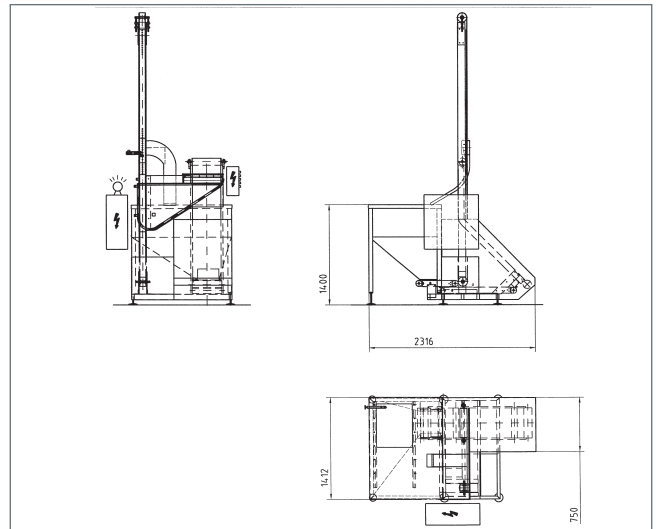
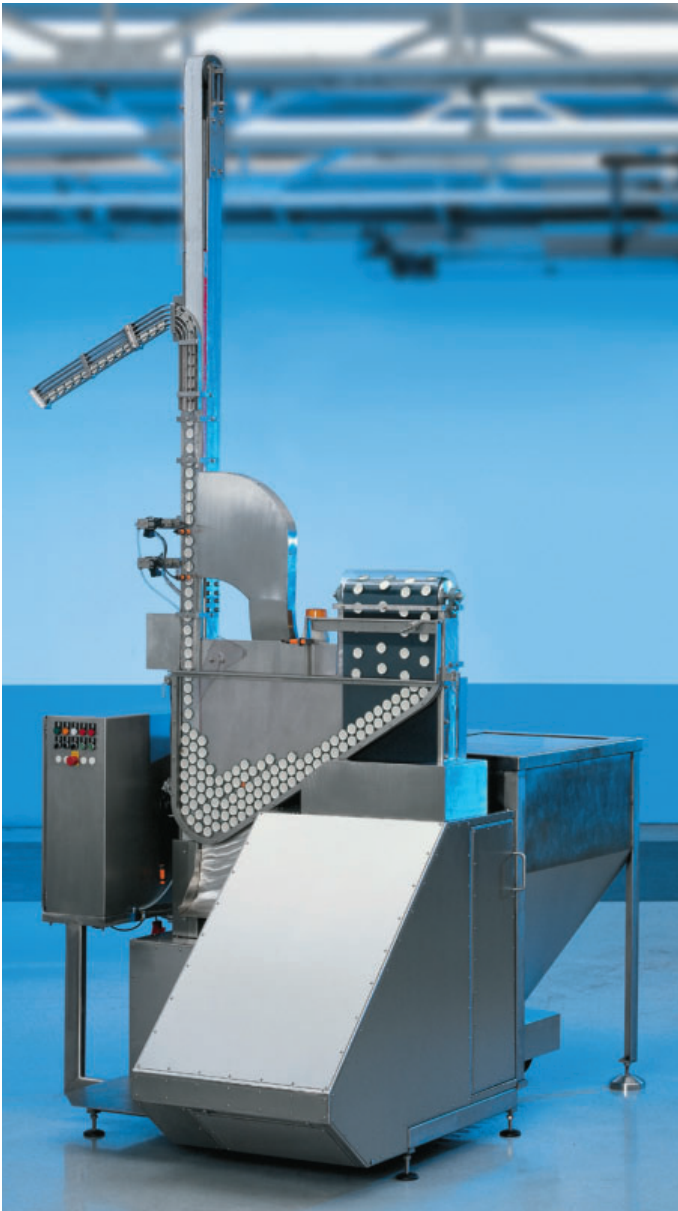
Electrical requirements

400 V / 50 Hz / 1.0 kW

Compressed air

6 bar min.

Silgan White Cap Cap Feeder, Type CSE



Line speed PT closures

- Ø 40 1,600 per min.
- Ø 51 1,600 per min.

Line speed Twist-Off® closures

- Ø 38 1,600 per min.
- Ø 53 1,400 per min.
- Ø 63 1,300 per min.
- Ø 77 1,000 per min.
- Ø 82 850 per min.

Hopper contents

0.8 m³

Electrical requirements

400 V / 50 Hz / 1.65 kW

Compressed air

6 bar

Space required

1,500 x 2,500 mm