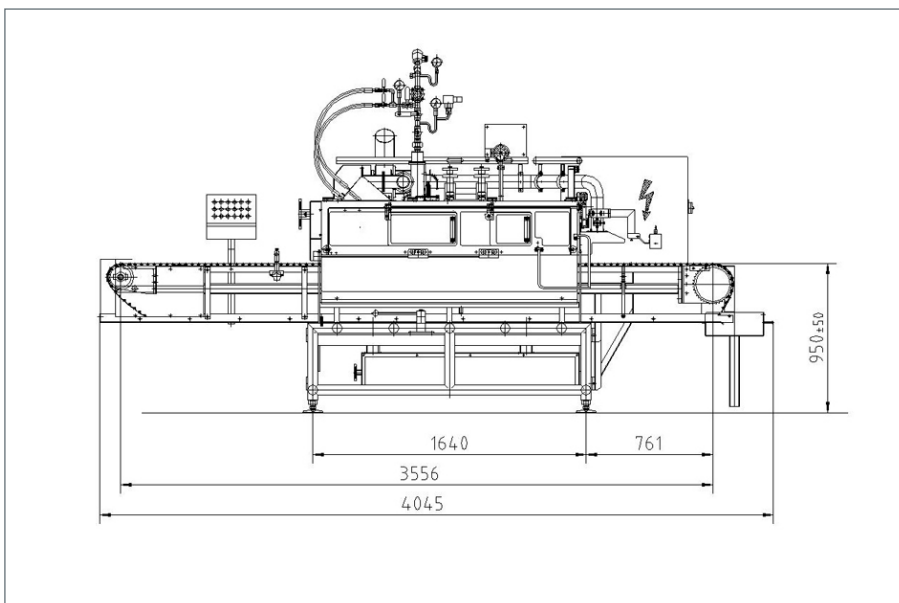


Sealing Machine Silgan White Cap 500-1



Electrical requirements

400 V / 59 Hz / 5.0 kW

Steam requirements

5 – 8 bar

30 – 90 kg/h

Steam supply line connection

R 3/4"

Exhaust pipe

Ø 150 mm minimum

Preferably soft water

R 1/4", 0.25 m³/h

Max. line speed

500 per min. for
Twist-Off® and PT

Closure types

Suitable for all Twist-Off®
and PT closure types
with Ø 27 mm – 110 mm

