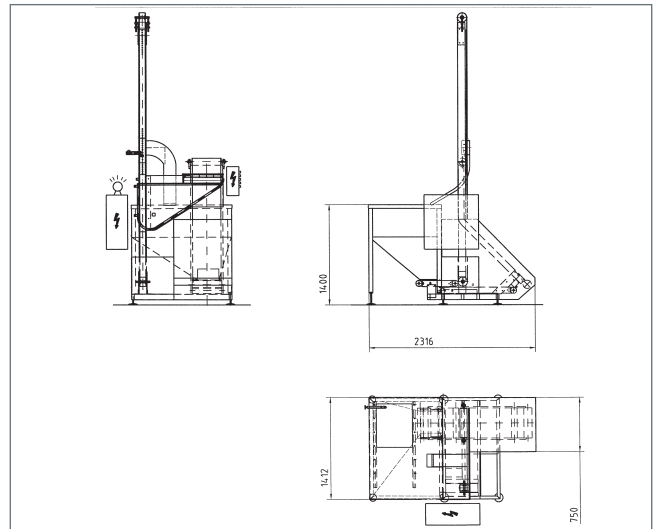
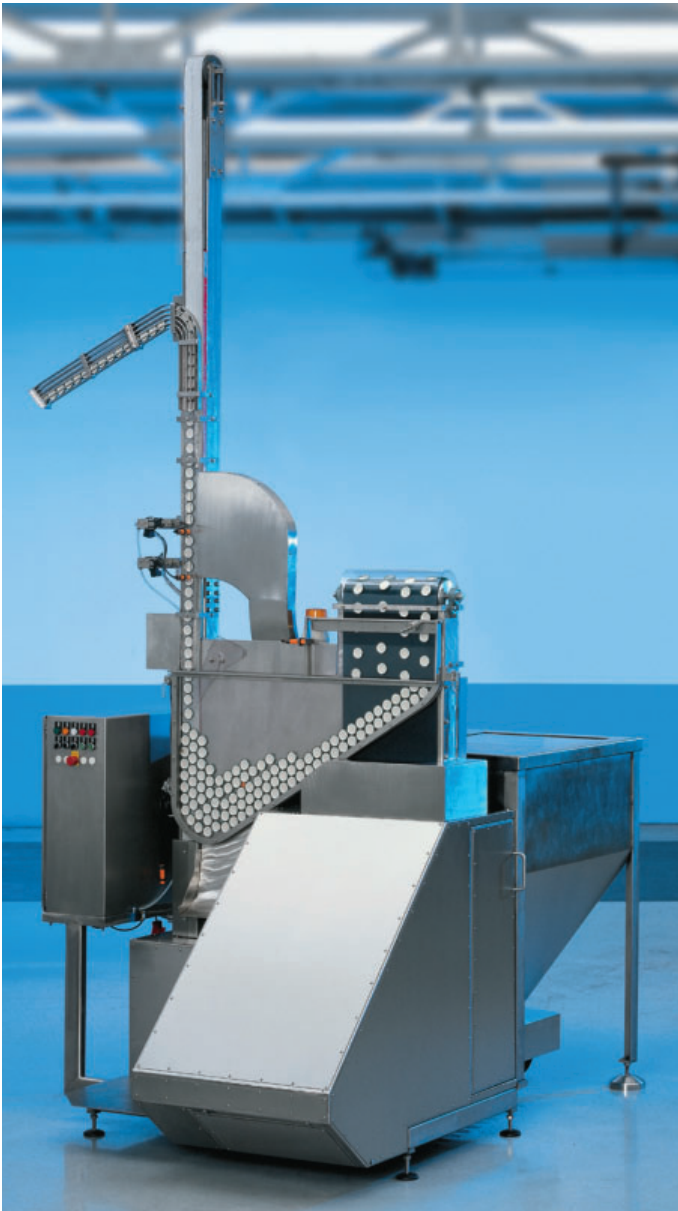


Silgan White Cap Cap Feeder, Type CSE



Line speed PT closures

- Ø 40 1,600 per min.
- Ø 51 1,600 per min.

Line speed Twist-Off® closures

- Ø 38 1,600 per min.
- Ø 53 1,400 per min.
- Ø 63 1,300 per min.
- Ø 77 1,000 per min.
- Ø 82 850 per min.

Hopper contents

0.8 m³

Electrical requirements

400 V / 50 Hz / 1.65 kW

Compressed air

6 bar

Space required

1,500 x 2,500 mm