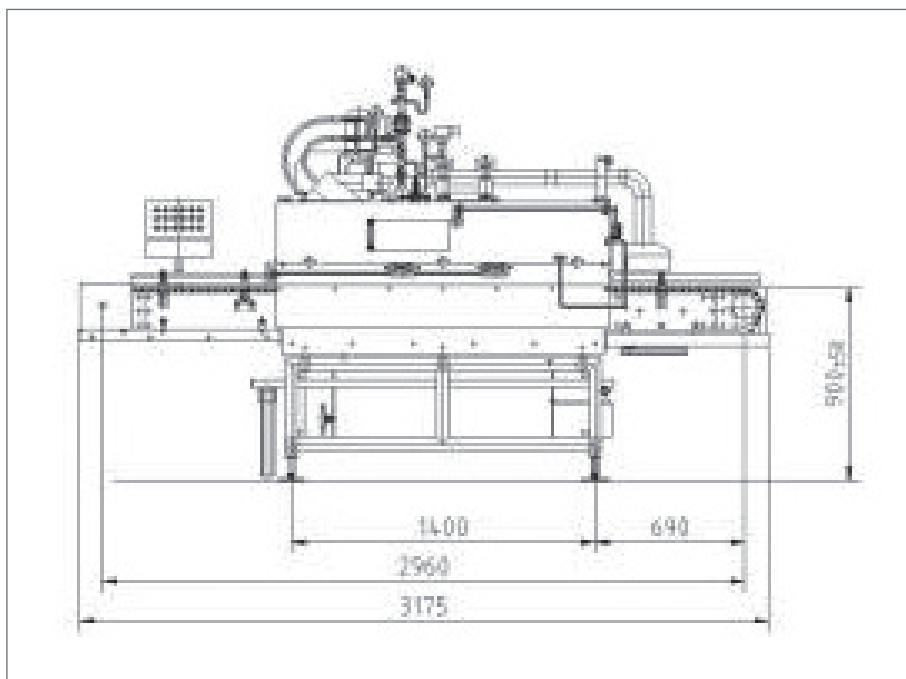


Sealing Machine Silgan White Cap 300



Electrical requirements

400 V / 50 Hz / 3.5 kW

Steam requirements

5 – 8 bar

30 – 90 kg/h

Steam supply line connection

R 3/4"

Exhaust pipe

Ø 150 mm minimum

Preferably soft water

0.25 m³/h

Max. line speed

300 per min. for
Twist-Off® and PT

Closure types

Suitable for all Twist-Off®
and PT closure types
with Ø 27 mm – 110 mm

↑ ↓  Min. 30 mm
Max. 300 mm

Ø  Min. 40 mm
Max. 160 mm