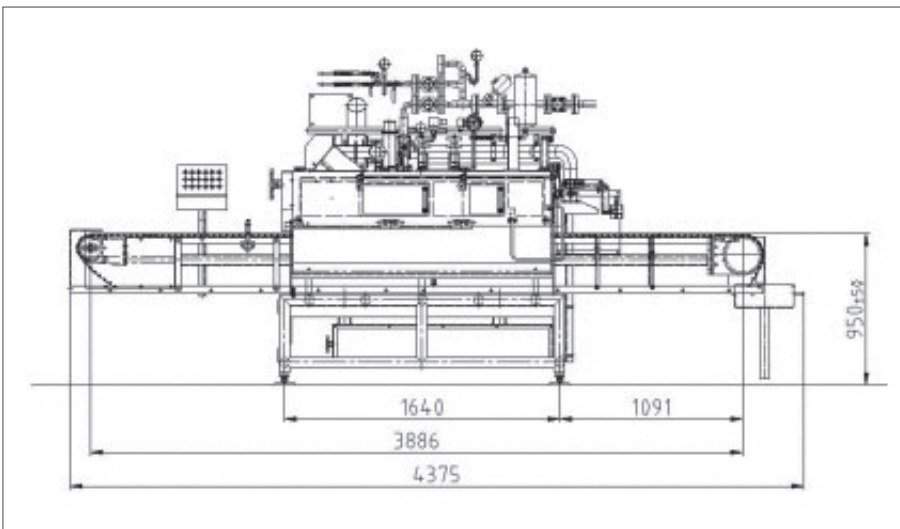


# Sealing Machine Silgan White Cap 600-1



### Electrical requirements

400 V / 50 Hz / 7.5 kW

### Steam requirements

5 – 8 bar

50 – 120 kg/h

### Steam supply line connection

DN 25

### Exhaust pipe

Ø 150 mm minimum

### Preferably soft water


R 1/4", 0.25 m<sup>3</sup>/h

### Max. line speed

1.000 per min. for PT  
850 per min. for Twist-Off® depending on closure diameter and type

### Closure types

Suitable for all Twist-Off® and PT closure types with Ø 27 mm – 110 mm

↑ ↓  Min. 40 mm  
Max. 300 mm

Ø  Min. 40 mm  
Max. 160 mm