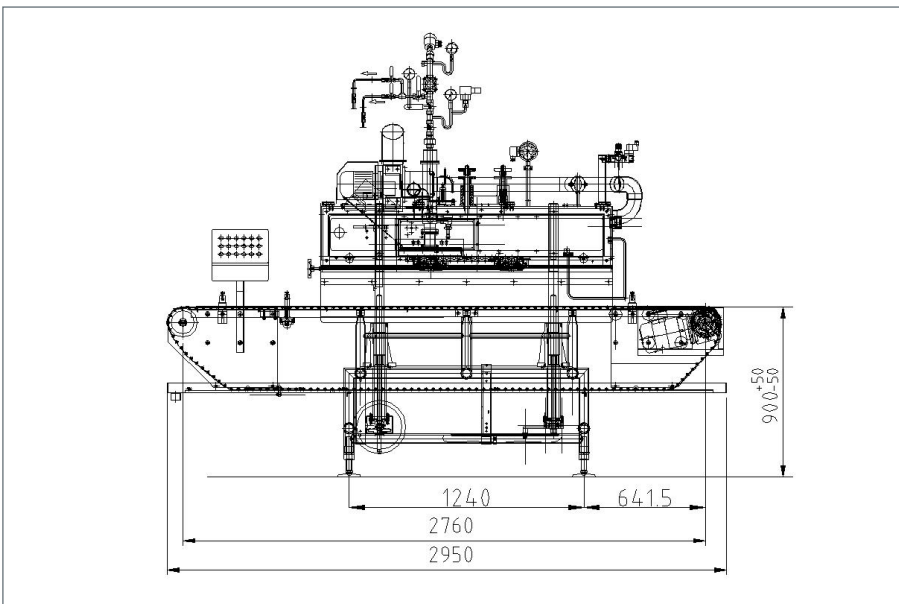


# Sealing Machine Silgan White Cap 200



### Electrical requirements

400 V / 50 Hz / 3.5 kW

### Steam requirements

5 – 8 bar

30 – 90 kg/h

### Steam supply line connection

R 3/4"

### Exhaust pipe

Ø 150 mm minimum

### Preferably soft water

0.25 m<sup>3</sup>/h

### Max. line speed

300 per min. for  
Twist-Off® and PT

### Closure types

Suitable for all Twist-Off®  
and PT closure types  
with Ø 27 mm – 110 mm

